

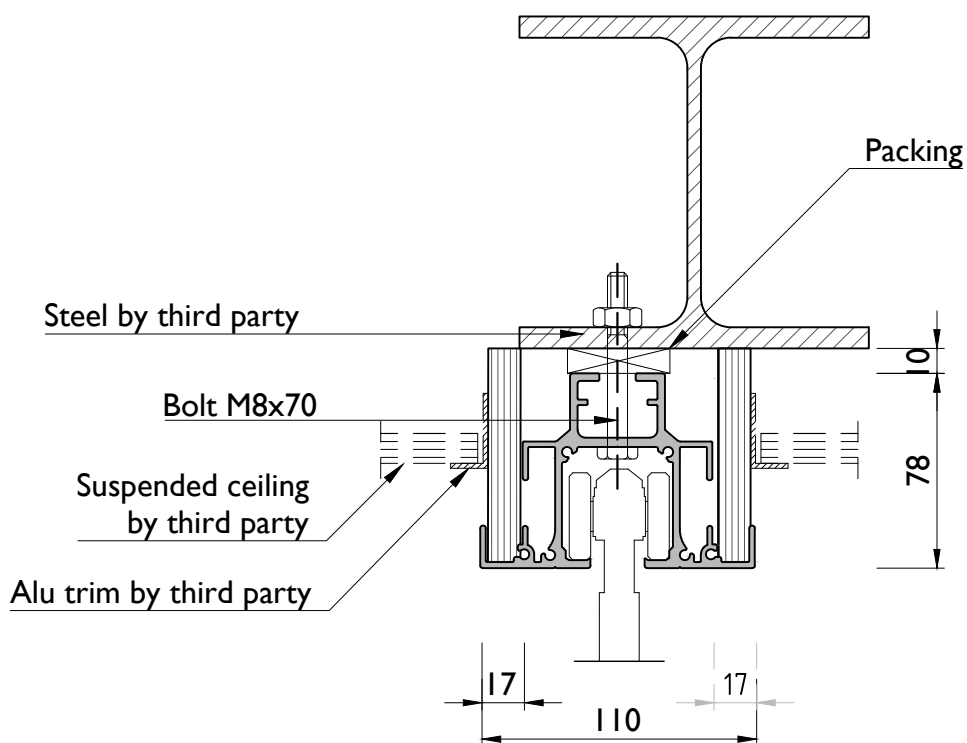
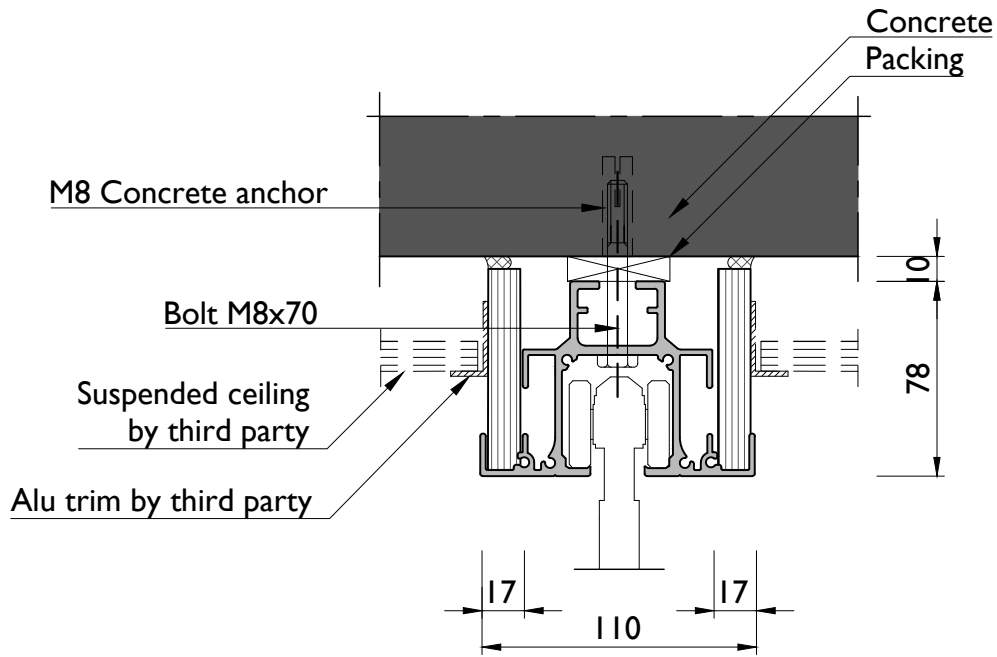
ESPERO

www.espero.eu
 info@espero.eu
 +31(0)416 338955

Type: I-point suspension

Date: 01-2020

Drawing no: I.01



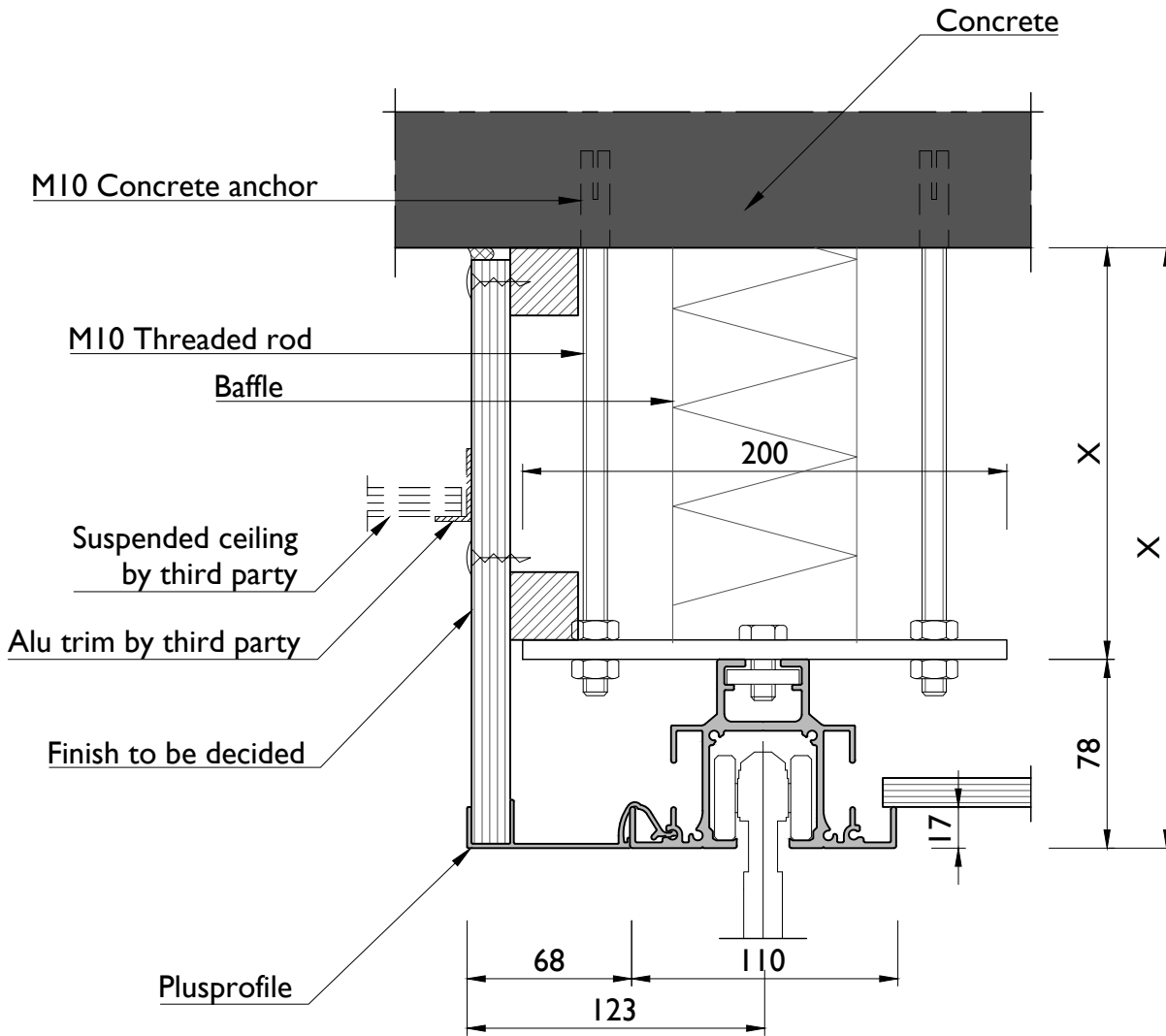
ESPERO

www.espero.eu
 info@espero.eu
 +31(0)416 338955

Type: I-point suspension

Date: 01-2020

Drawing no: I.02



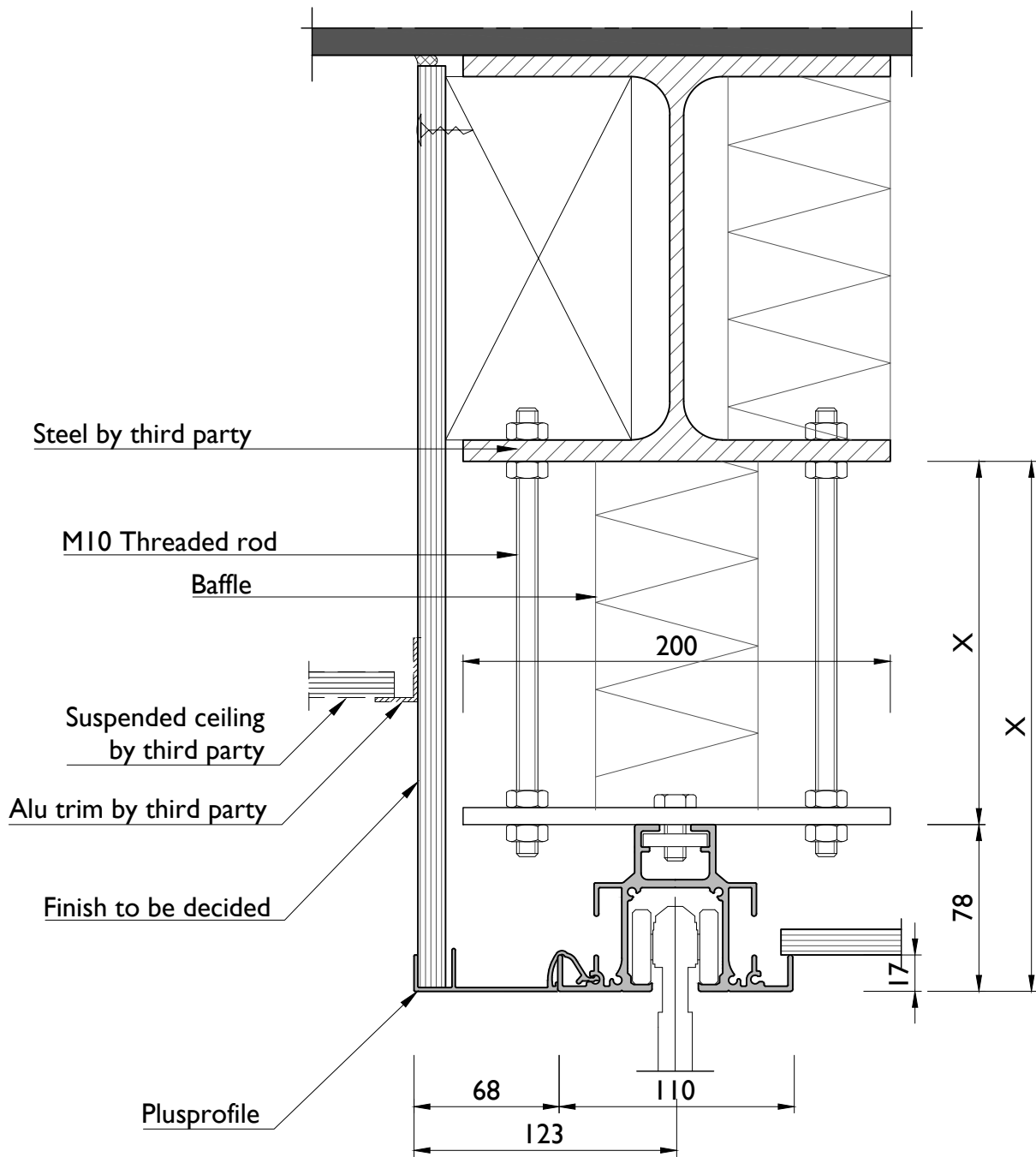
ESPERO

www.espero.eu
 info@espero.eu
 +31(0)416 338955

Type: I-point suspension

Date: 01-2020

Drawing no: I.03



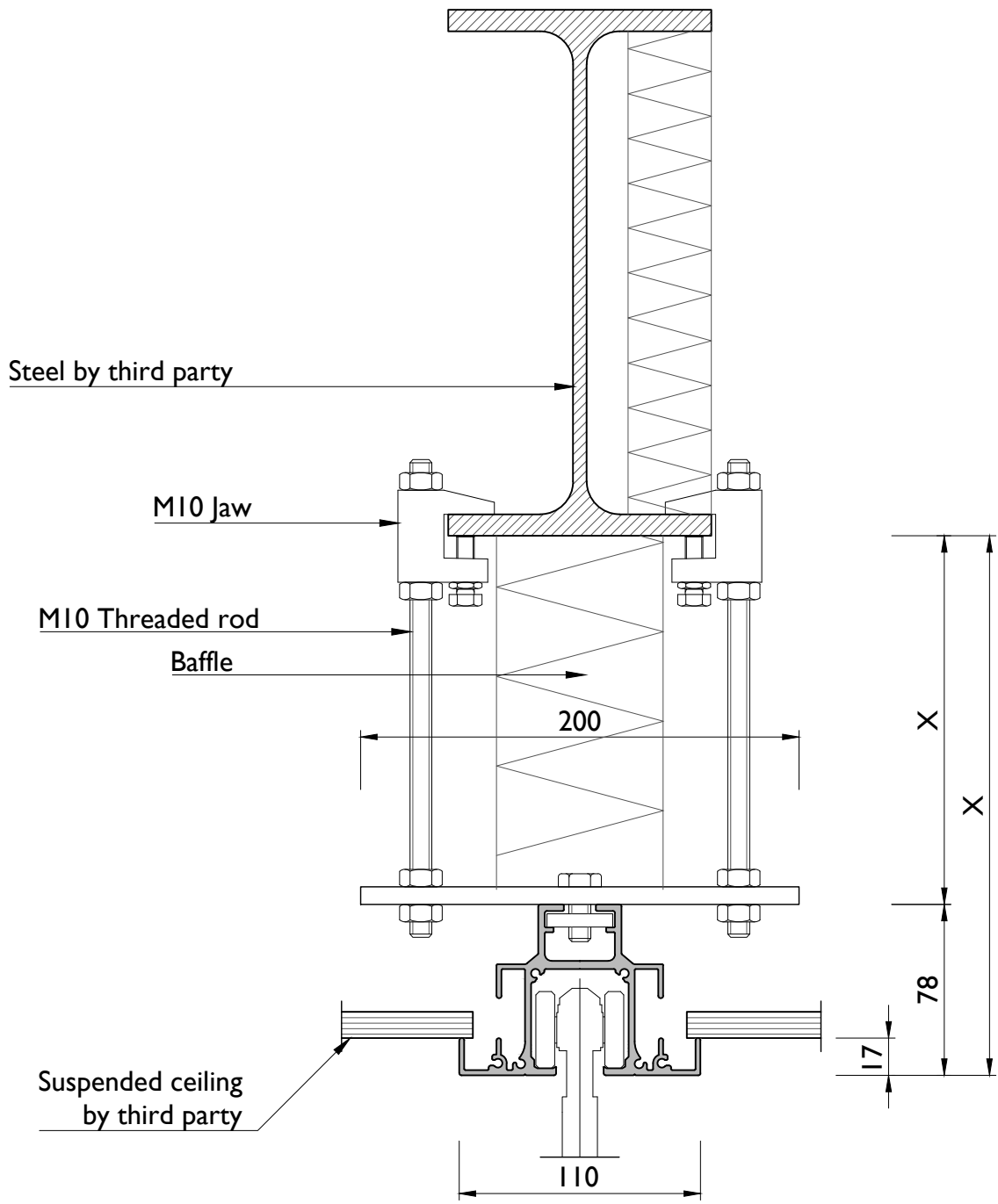
ESPERO

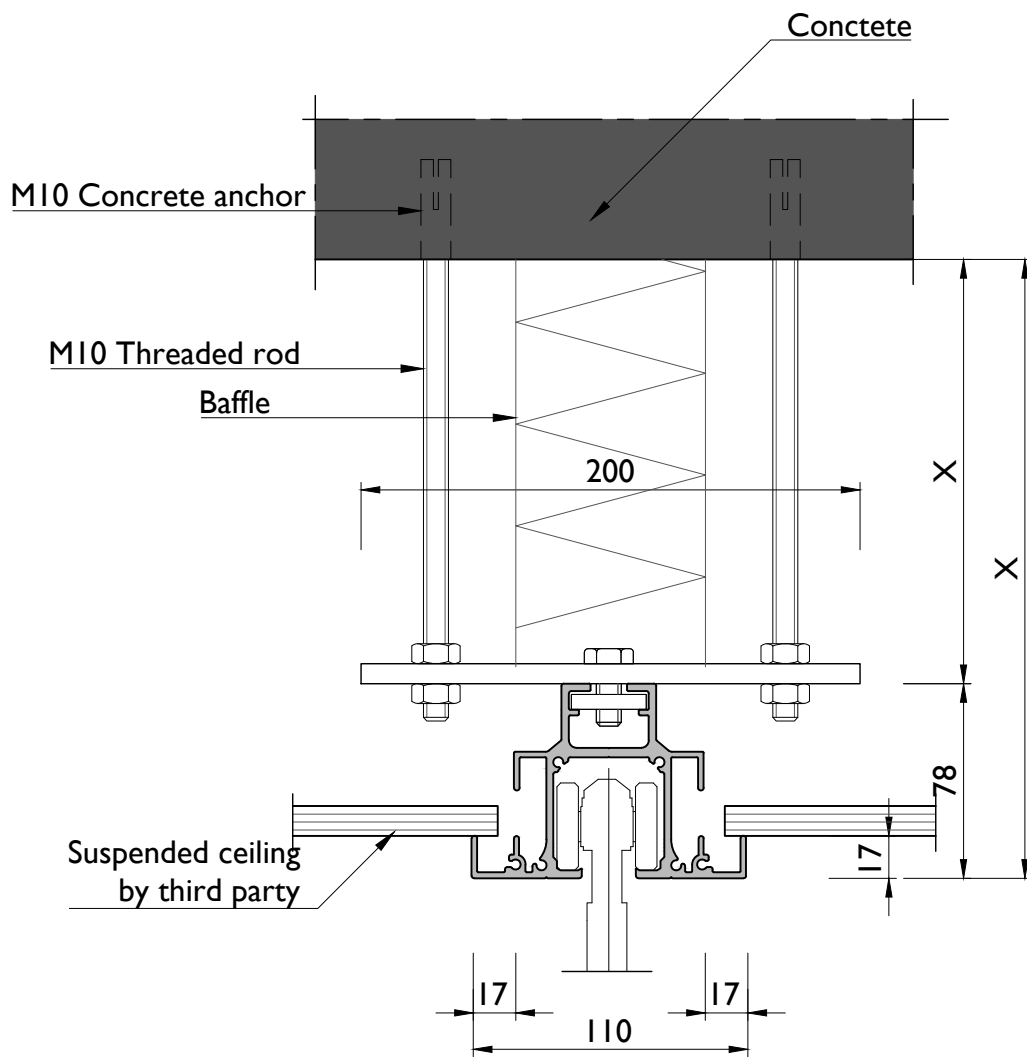
www.espero.eu
 info@espero.eu
 +31(0)416 338955

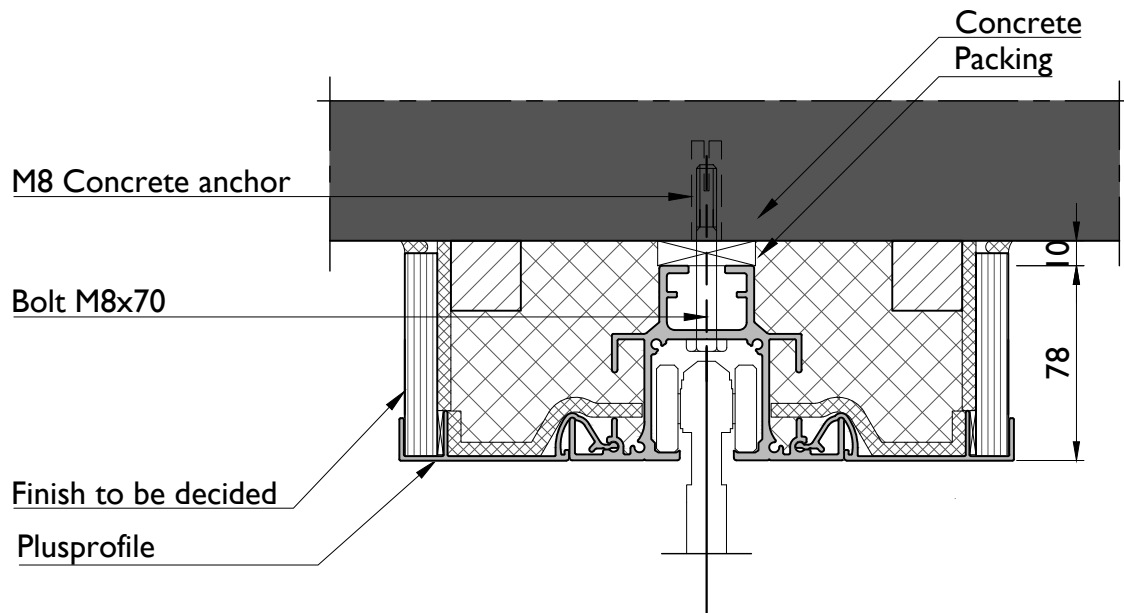
Type: I-point suspension

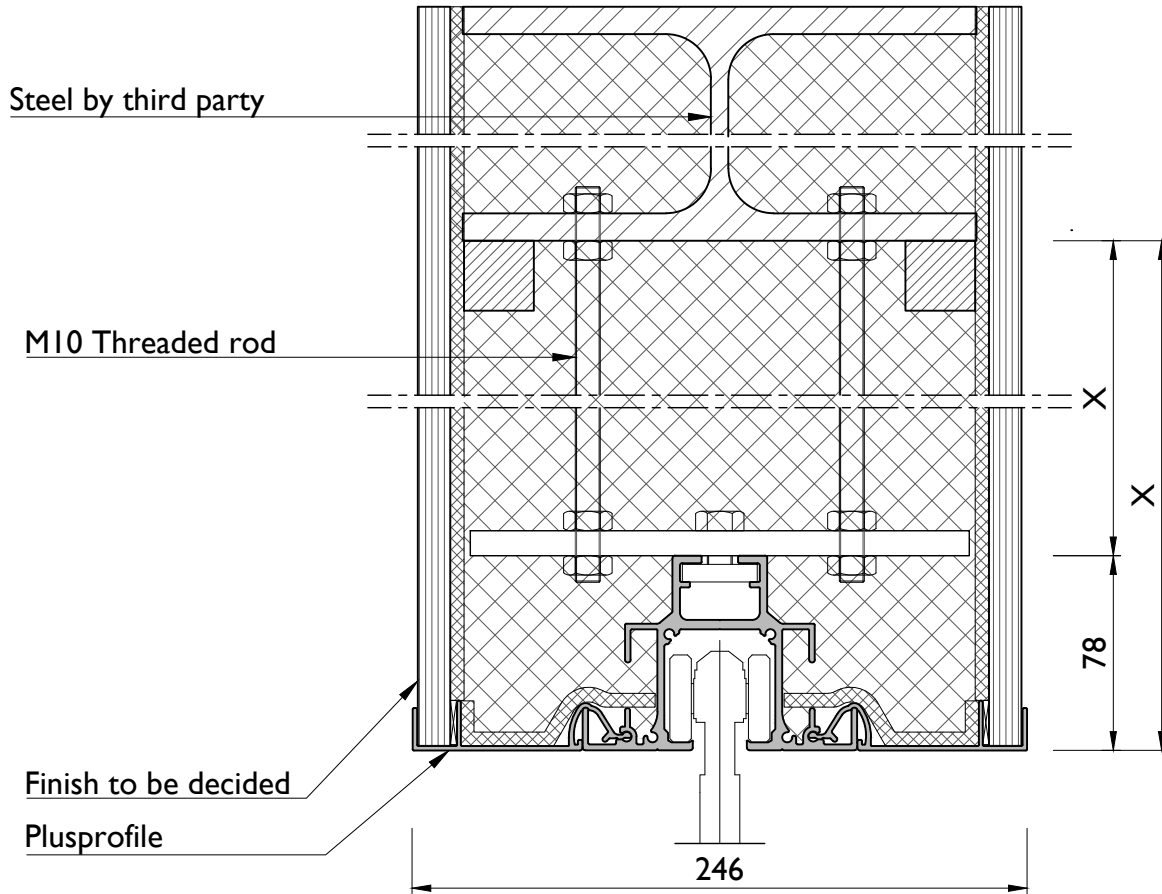
Date: 01-2020

Drawing no: I.04









ESPERO

www.espero.eu
 info@espero.eu
 +31(0)416 338955

Type: I-point suspension

Date: 01-2020

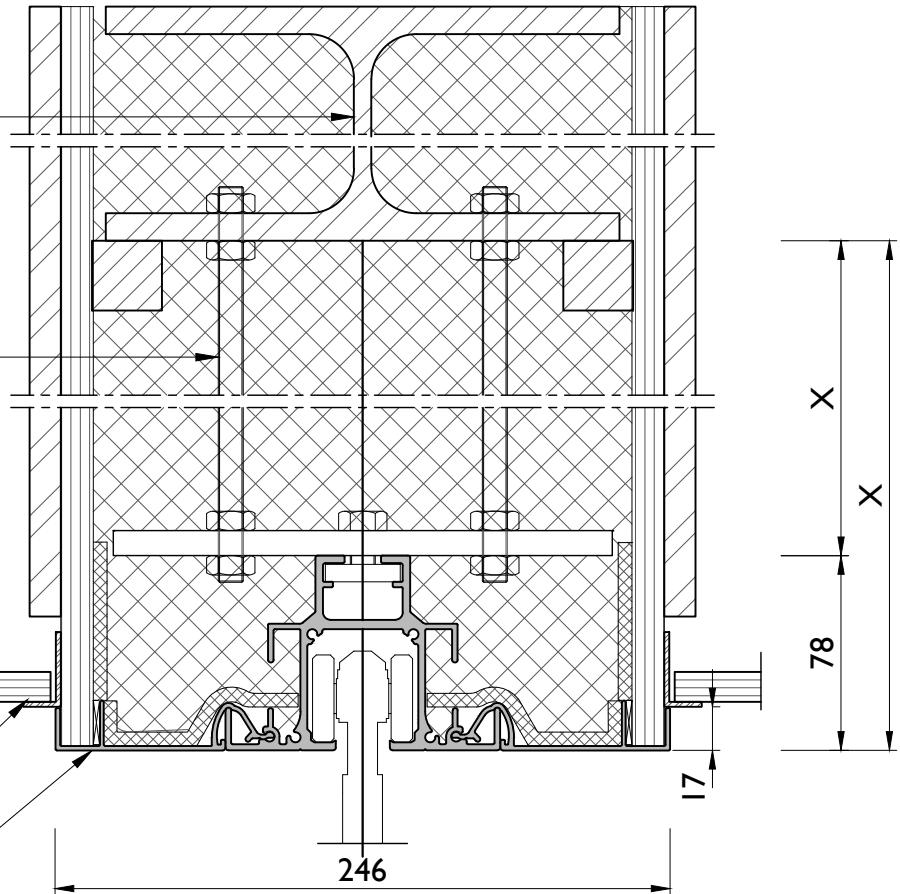
Drawing no: I.08

Steel by third party

M10 Threaded rod

Suspended ceiling
by third party
Alu trim by third party

Plusprofile



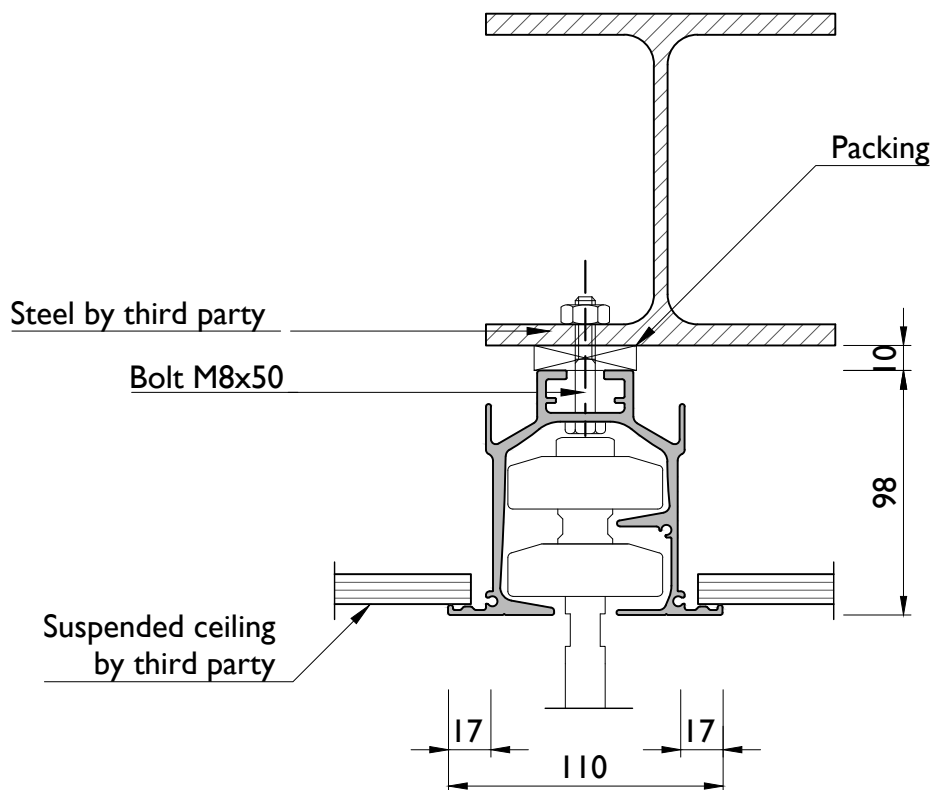
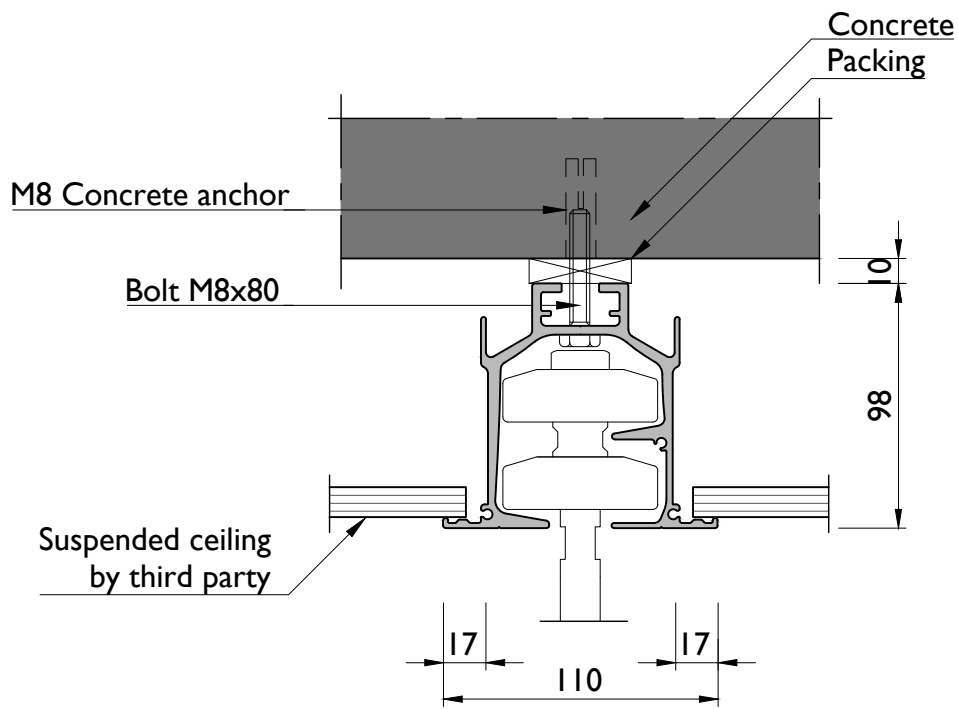
ESPERO

www.espero.eu
info@espero.eu
+31(0)416 338955

Type: I-point suspension

Date: 01-2020

Drawing no: I.09



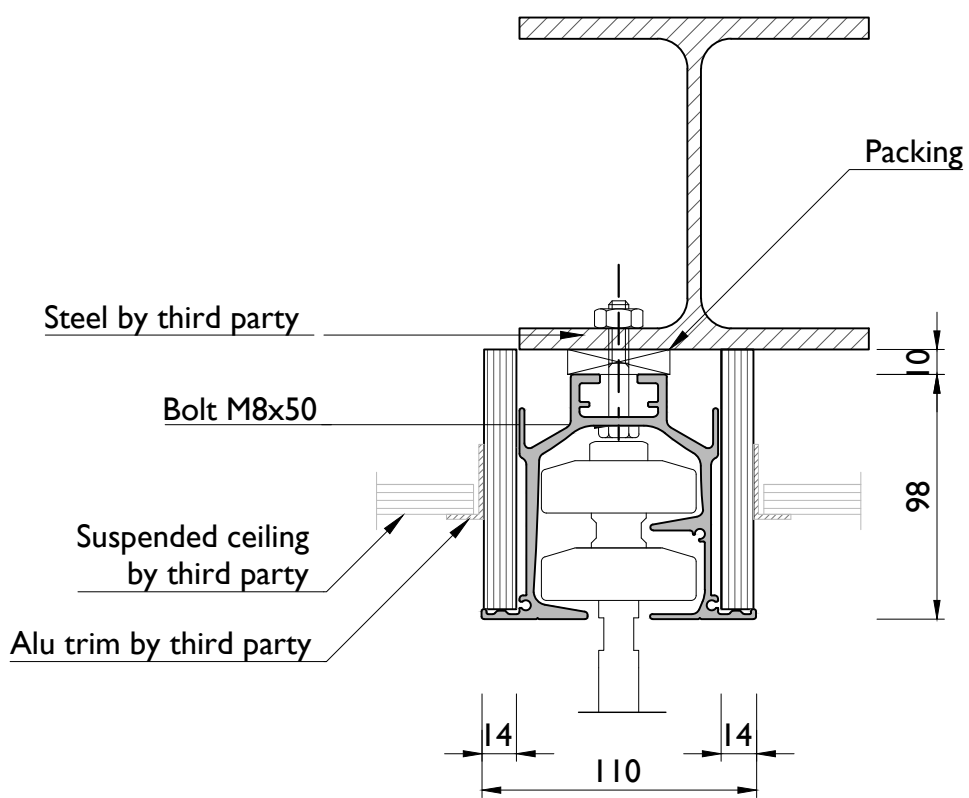
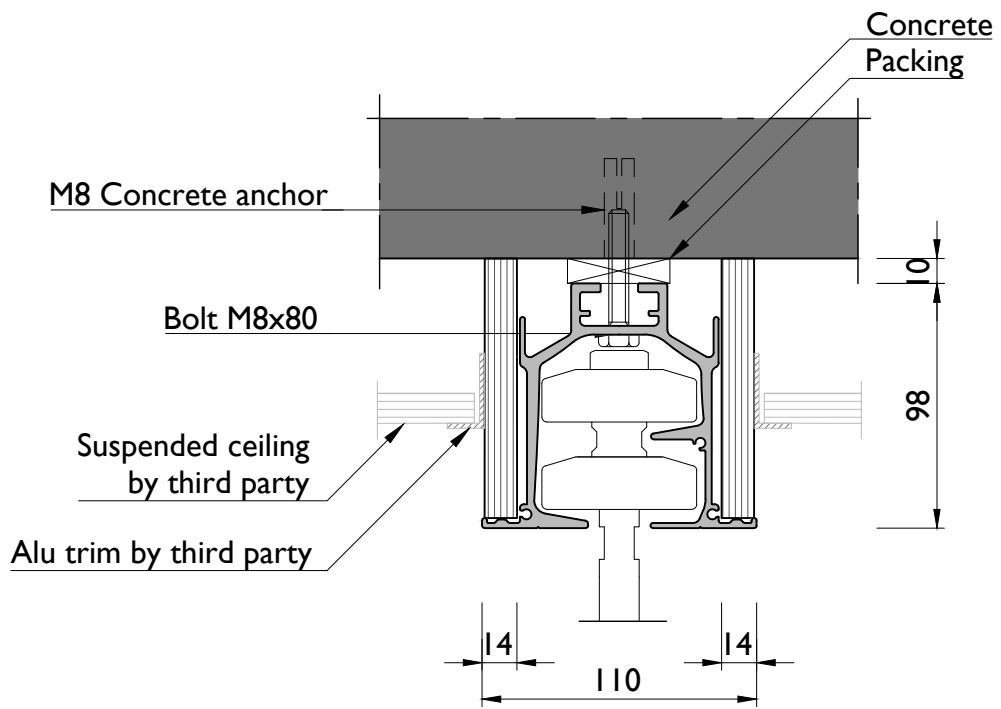
ESPERO

www.espero.eu
 info@espero.eu
 +31(0)416 338955

Type: 2-point suspension

Date: 01-2020

Drawing no: 2.01



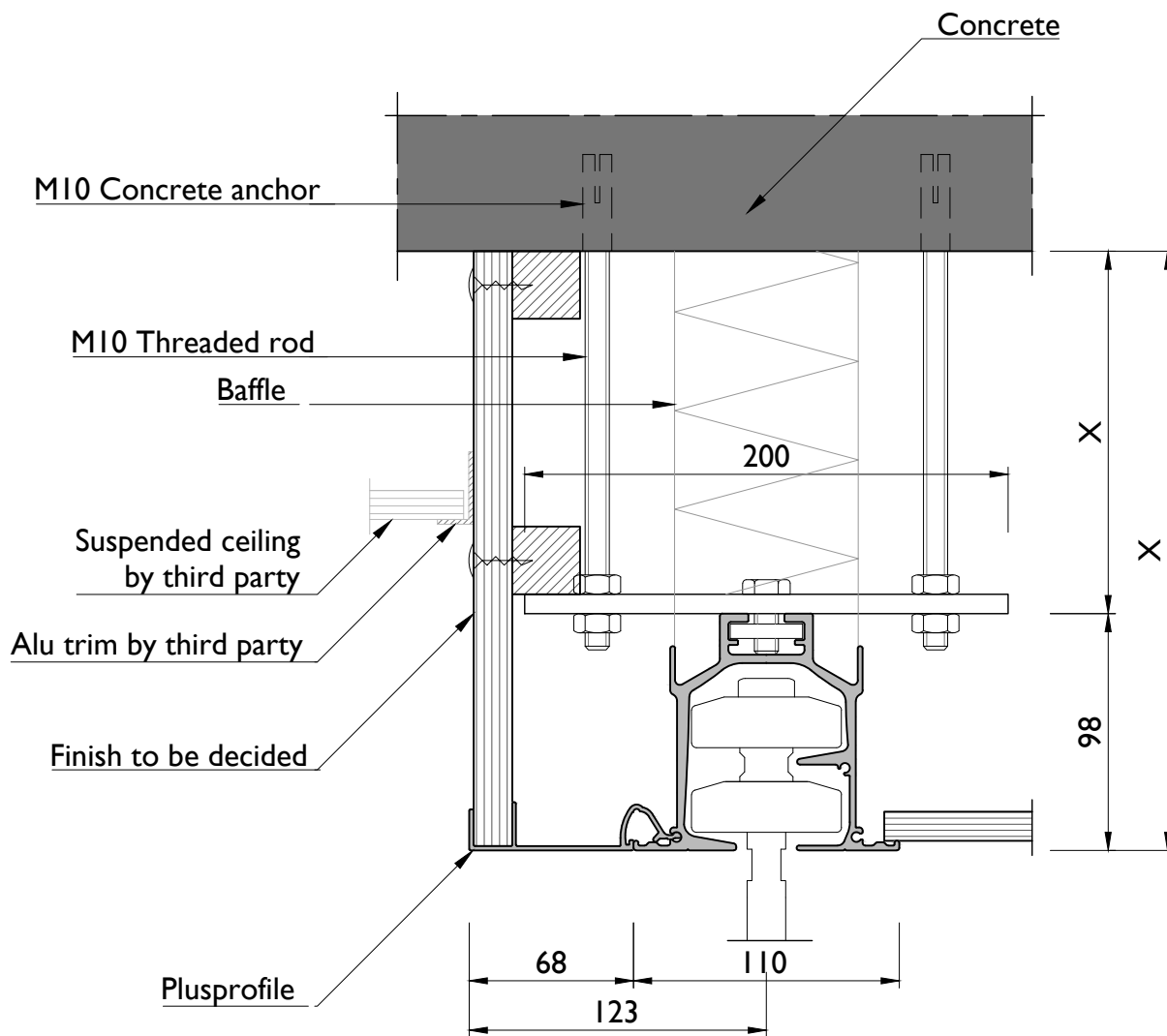
ESPERO

www.espero.eu
 info@espero.eu
 +31(0)416 338955

Type: 2-point suspension

Date: 01-2020

Drawing no: 2.02



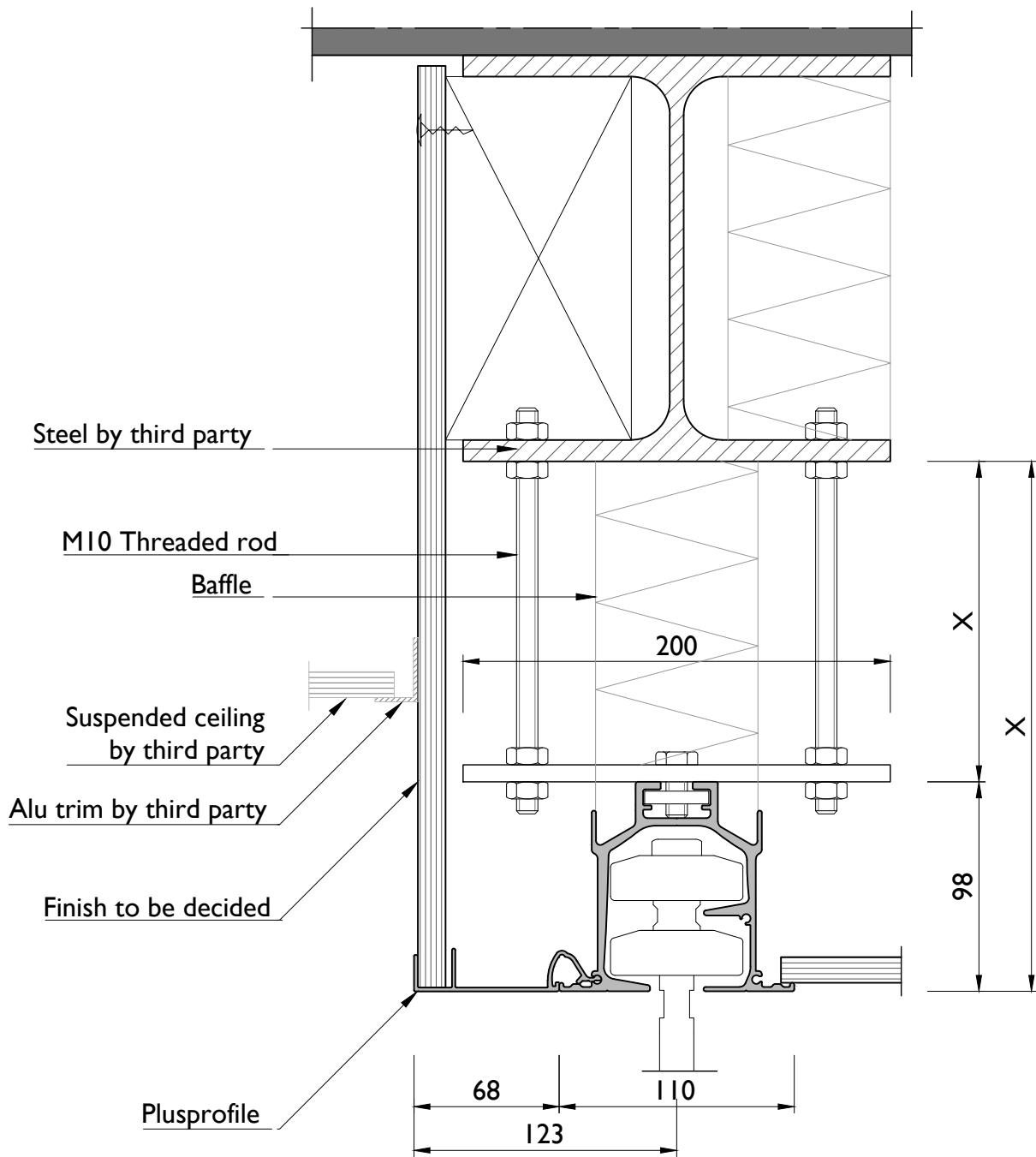
ESPERO

www.espero.eu
 info@espero.eu
 +31(0)416 338955

Type: 2-point suspension

Date: 01-2020

Drawing no: 2.03



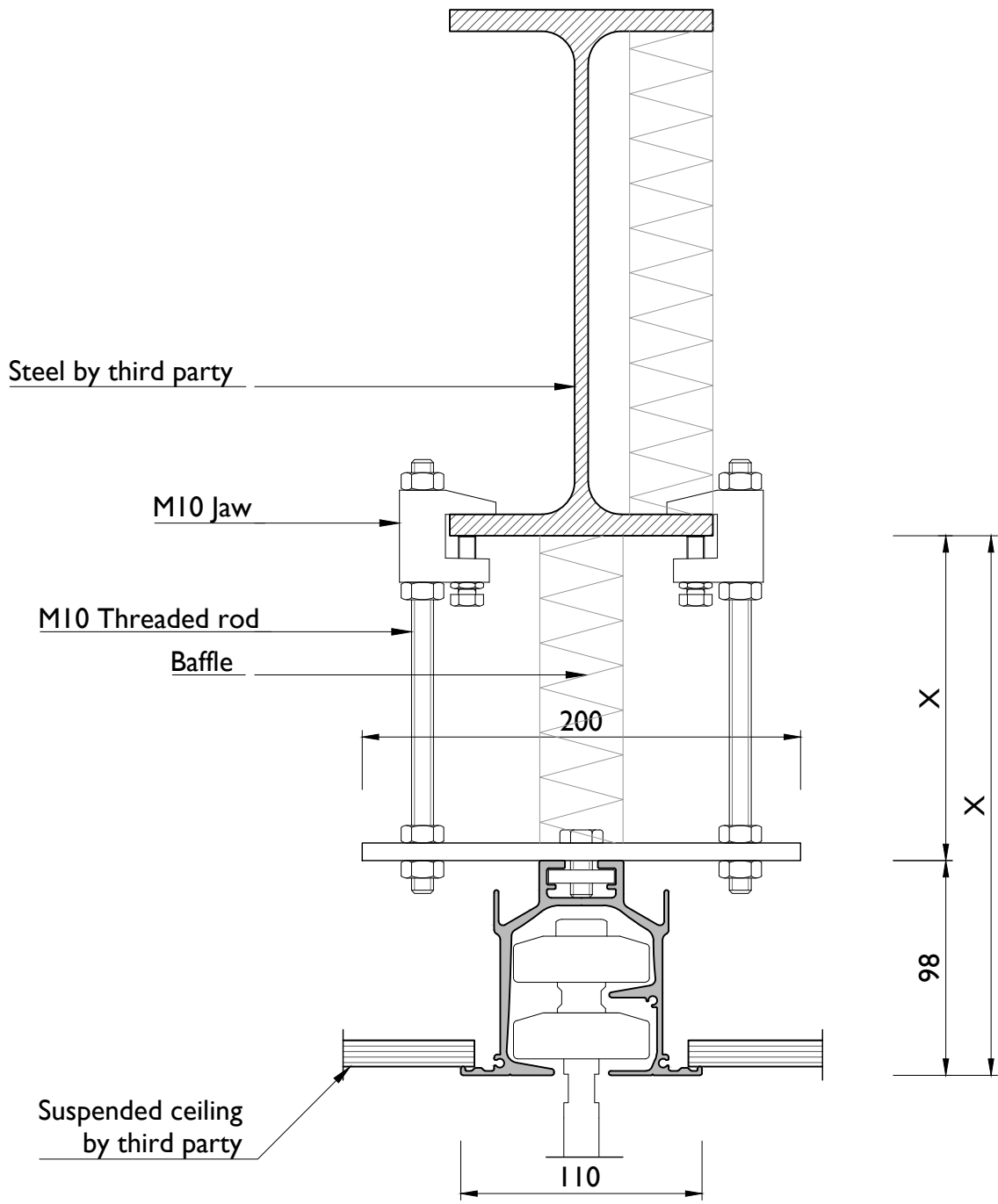
ESPERO

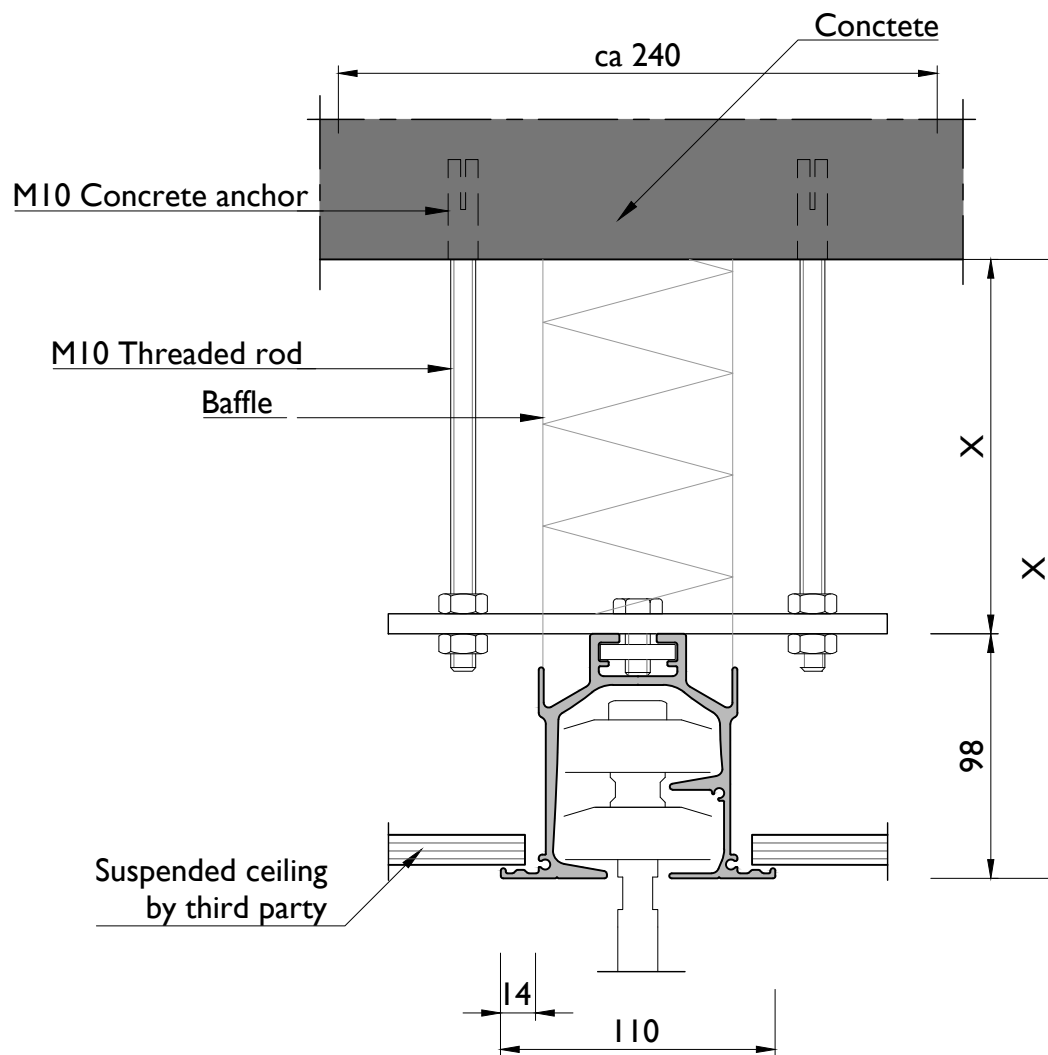
www.espero.eu
 info@espero.eu
 +31(0)416 338955

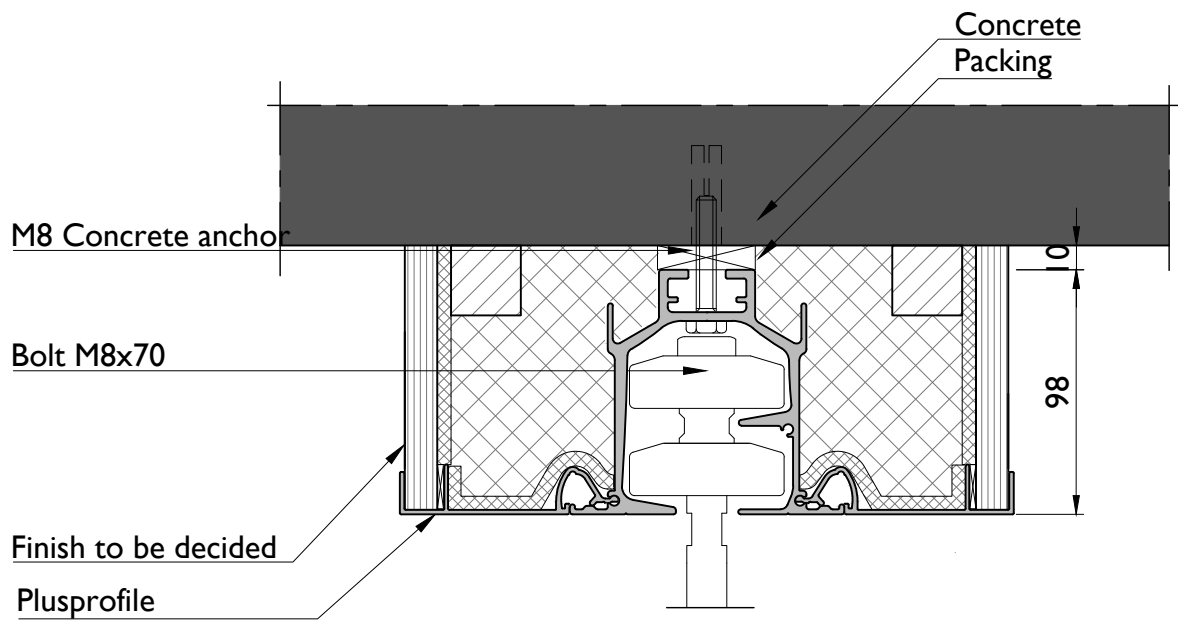
Type: 2-point suspension

Date: 01-2020

Drawing no: 2.04







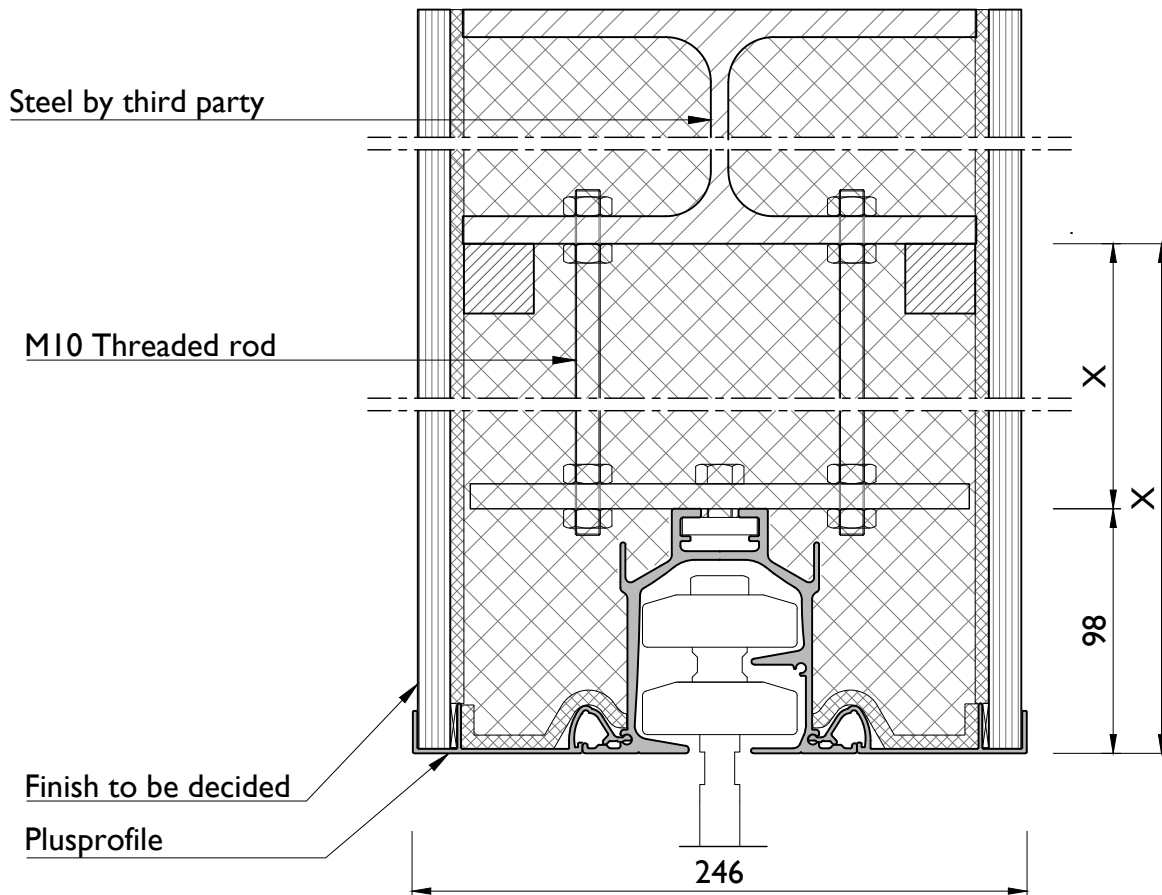
ESPERO

www.espero.eu
 info@espero.eu
 +31(0)416 338955

Type: 2-point suspension

Date: 01-2020

Drawing no: 2.07



ESPERO

www.espero.eu
 info@espero.eu
 +31(0)416 338955

Type: 2-point suspension

Date: 01-2020

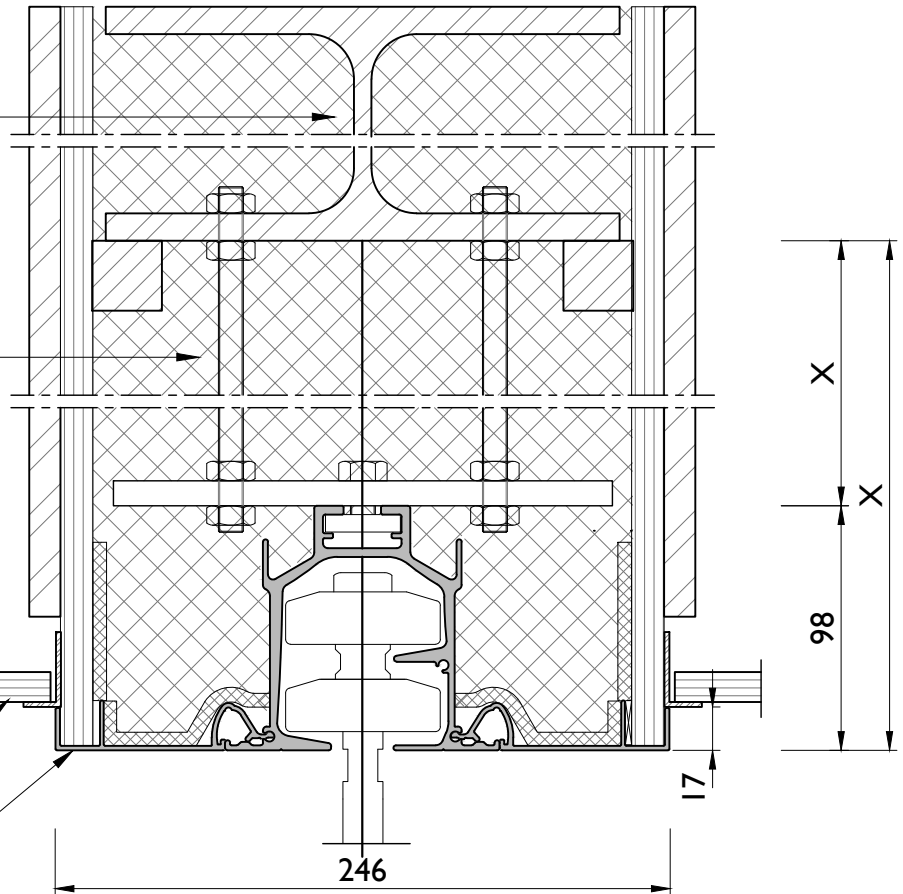
Drawing no: 2.08

Steel by third party

M10 Threaded rod

Suspended ceiling
by third party
Alu trim by third party

Plusprofile



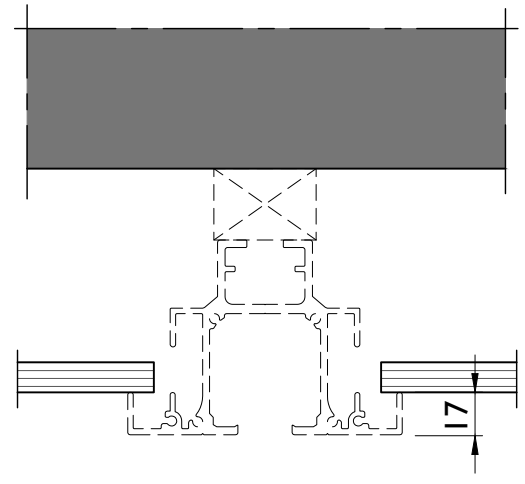
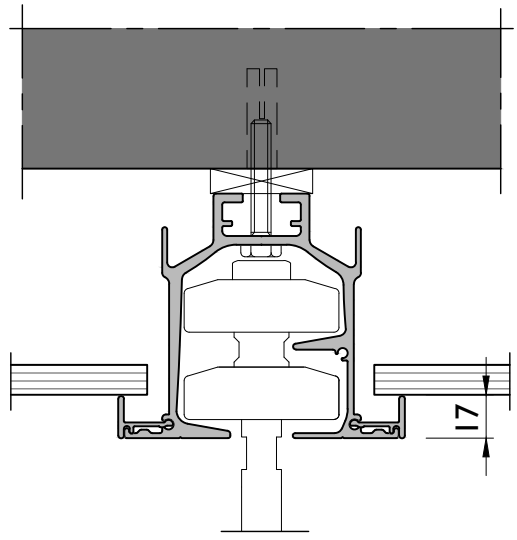
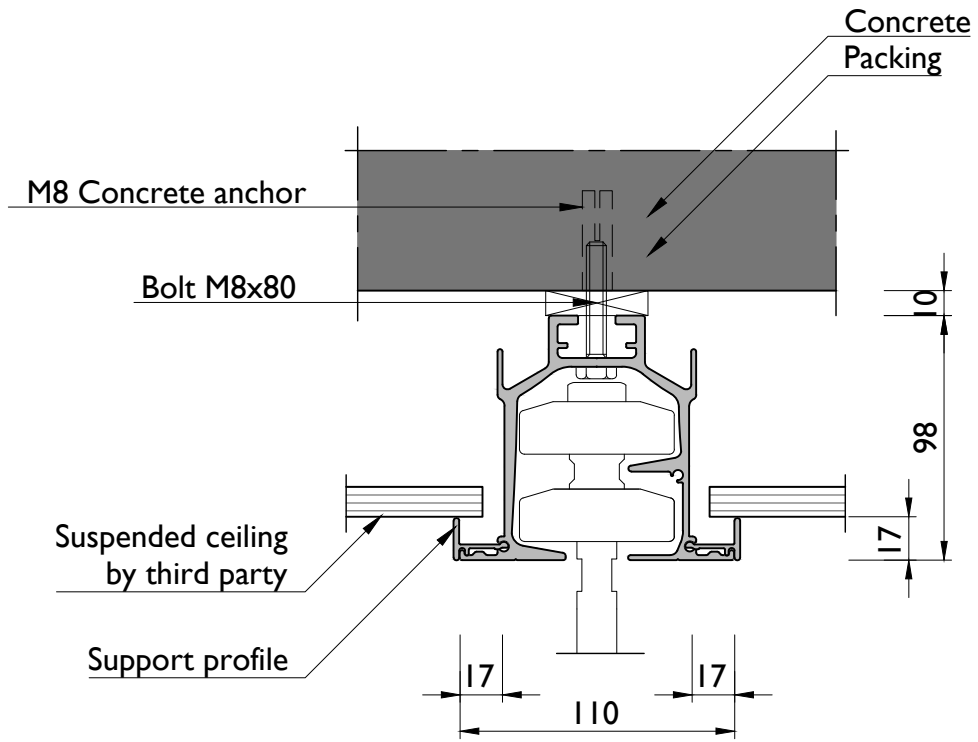
ESPERO

www.espero.eu
info@espero.eu
+31(0)416 338955

Type: 2-point suspension

Date: 01-2020

Drawing no: 2.09



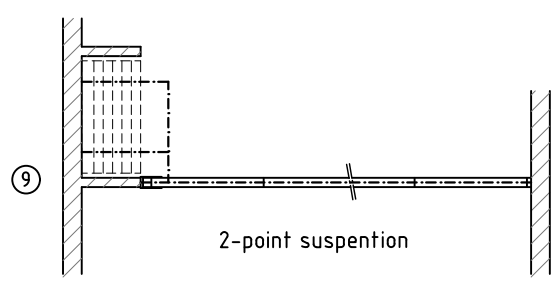
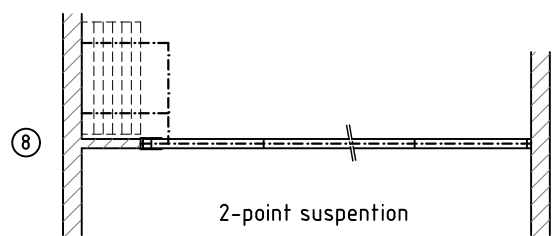
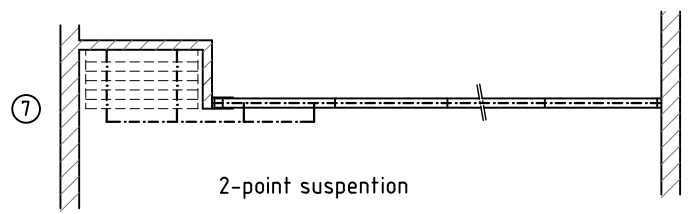
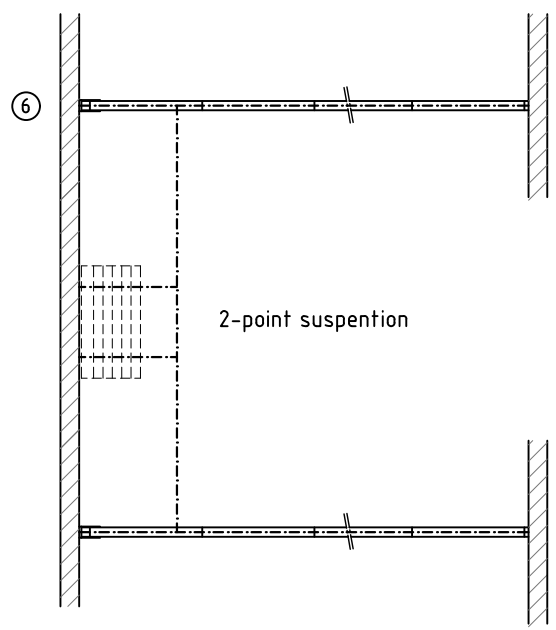
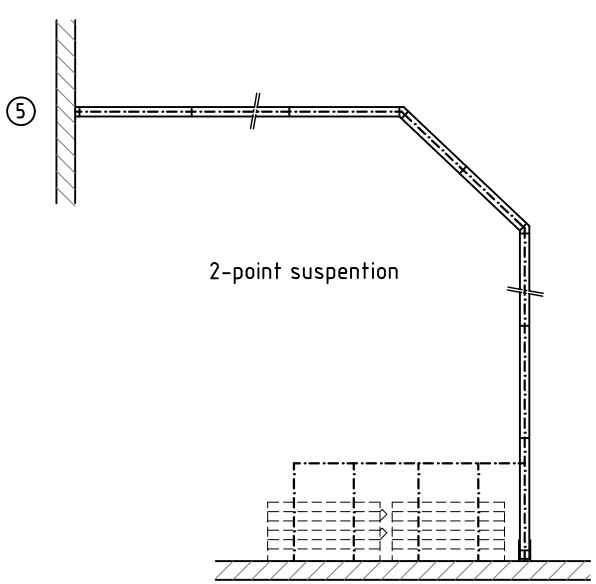
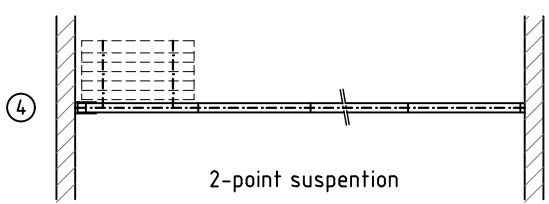
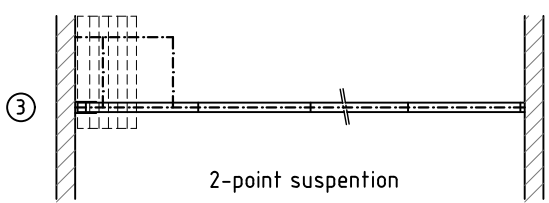
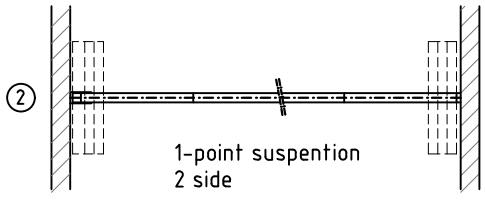
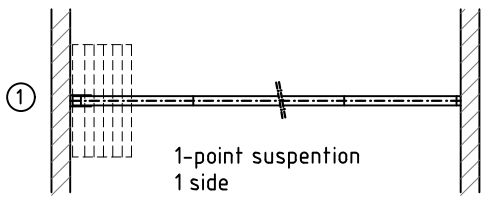
ESPERO

www.espero.eu
 info@espero.eu
 +31(0)416 338955

Type: 2-point suspension

Date: 01-2020

Drawing no: 2.10



ESPERO

www.espero.eu
info@espero.eu
+31(0)416 338955

Type: Parking options

Date: 01-2020

Drawing no: T1.00